



# Single Parameter Monitoring Panel with SC4500 and TU5300

## Applications

- Drinking Water
- Wastewater
- Food and Beverage
- Pharmaceutical
- Power Generation
- Semiconductor
- Field Use



## Expertise + Simplicity

### Quality from start to finish

Our panel configurations allow you to maximize the inherent quality of the instruments, providing peace of mind while leveraging Hach's 100 years of water quality innovations.

### Up and running in no time

Our preassembled, ready-to-use solutions streamline the process between purchasing and startup.

### Ease of installation

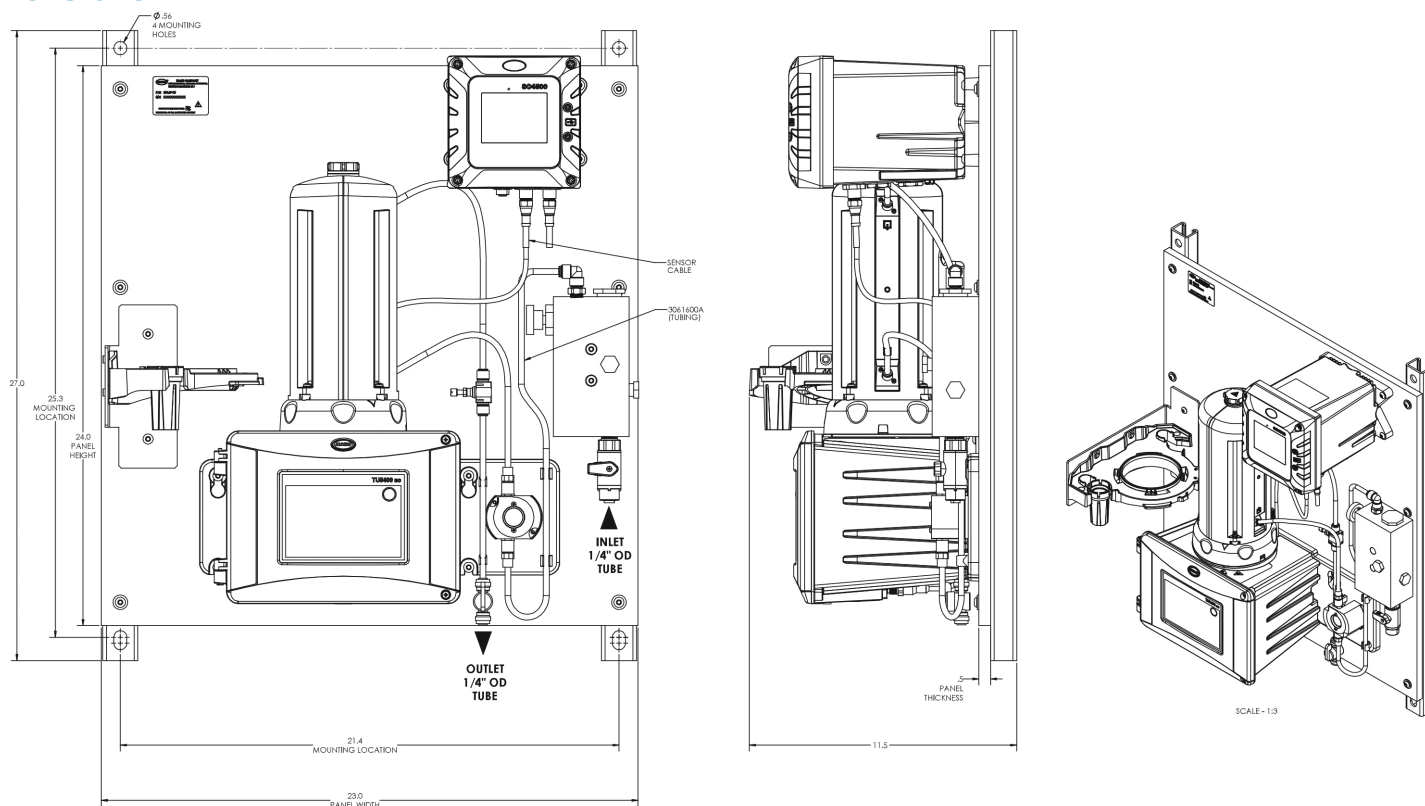
When you buy a water quality monitoring station from Hach, you'll receive an expertly designed, preassembled panel that makes installation straightforward and user friendly.

## Technical Data\*

<b>Range</b>	Sensor Monitoring Option: TU5300 0 - 700 NTU / FNU / TE/F / FTU
<b>Controller</b>	SC4500 digital controller
<b>Mounting</b>	Wall or rack mounting
<b>Sample Inlet Connection</b>	1/4" OD tubing
<b>Process Connection</b>	Sample drain: 1/4" OD tube or hose barb
<b>Weight</b>	13.8 kg / 30.5 lbs
<b>Dimensions (H x W x D)</b>	685.8 mm x 584.2 mm x 292.1 mm
<b>Sample Temperature</b>	2 - 60°C (35 - 140°F)
<b>Sample Pressure</b>	6 bar (87 psi) maximum, compared to air at sample temperature range from 2 - 40 °C (35 - 104 °F)
<b>Sample Flow Rate</b>	100 - 1000 mL/min, optimal flow rate: 200 - 500 mL/min
<b>Power Requirements (Voltage)</b>	100-240 VAC ±10%, 50/60 Hz; 1 A
<b>Solution Type</b>	Drinking water, raw and treated

\*Subject to change without notice.

## Dimensions



## Order Information

### Panel

**SPMP-TU** Single Parameter Monitoring Panel with SC4500 and TU5300



**World Headquarters: Loveland, Colorado USA | hach.com**

**United States** 800-227-4224 fax: 970-669-2932 email: orders@hach.com  
**Outside United States** 970-669-3050 fax: 970-461-3939 email: int@hach.com

©Hach Company, 2023. All rights reserved.

In the interest of improving and updating its equipment, Hach Company reserves the right to alter specifications to equipment at any time.

DOC053.53.35346.Dec23